

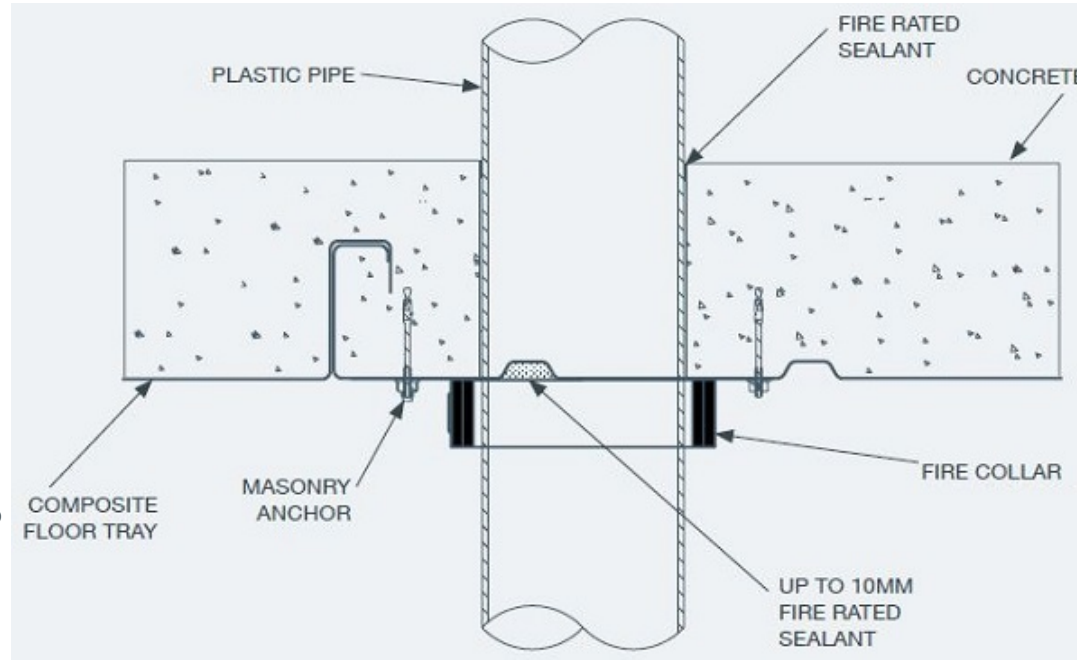
**Allproof Low Profile Fire Collar
 PVC, PP-R or PEX Pipes
 in Composite Floor (from 70mm)**

System/FPA Register ID# FC220

Products	Allproof Low-Profile Fire Collar
Application	Fire stopping of plastic pipes in composite floors
Construction	Minimum floor thickness of 70mm with max 10mm profile change

INSTALLATION INSTRUCTIONS:

1. Ensure substrate around pipe is flat and free from obstructions.
2. Open pipe collar and position around pipe.
3. Slide tab through slot in pipe collar and fold back 180° to secure. Secure pipe collar using M6x26 masonry anchors. Do not use fixings which rely on plastic or nylon components for grip.
4. Seal the annular gap between top of slab and the pipe with min 5mm Allproof MAS 310 fire sealant and also fill any profile changes up to 10mm.
5. Install only from underside on floor penetrations.



Fire Classification:

In 70mm floor:

PVC plastic pipes 40-100mm diam
 FRR -/60/60

PEX pipe 16mm diam
 FRR -/60/60

PP-R (SDR 11) pipe 32mm diam
 FRR -/60/60

In 0mm floor:

PVC plastic pipes 40-100mm diam
 FRR -/120/120

PEX pipe 16mm diam
 FRR -/60/60

PP-R (SDR 11) pipe 32mm diam
 FRR -/120/120

See page 2 for detailed hole sizes. etc



NOTE: For profile changes greater than 10mm use Allproof Drop-In Collar systems

ALLPROOF
 INDUSTRIES

Allproof Industries Ltd
 17 Bay Park Place
 Beach Haven, AK 0626

As a part of our policy of on-going product development and testing, we reserve the right to modify, alter or change product specifications without giving notice. All information contained in this document is given in good faith and is provided for guidance only. Any drawings provided are for illustrative purposes only. As Firestop Centre has no control over the methods or competence of installation and of prevailing site conditions, no warranties, expressed or implied, is intended to be given as to the actual performance of the product mentioned or referred to herein and no liability whatsoever will be accepted for any loss, damage or injury arising from the use of the information given.

For all technical details on the products specified please refer to the technical data sheets that can be found on www.firestopcentre.co.nz

Signed and approved:

Sheet size: **A4**
 Drawn date & no: **28/7/2**

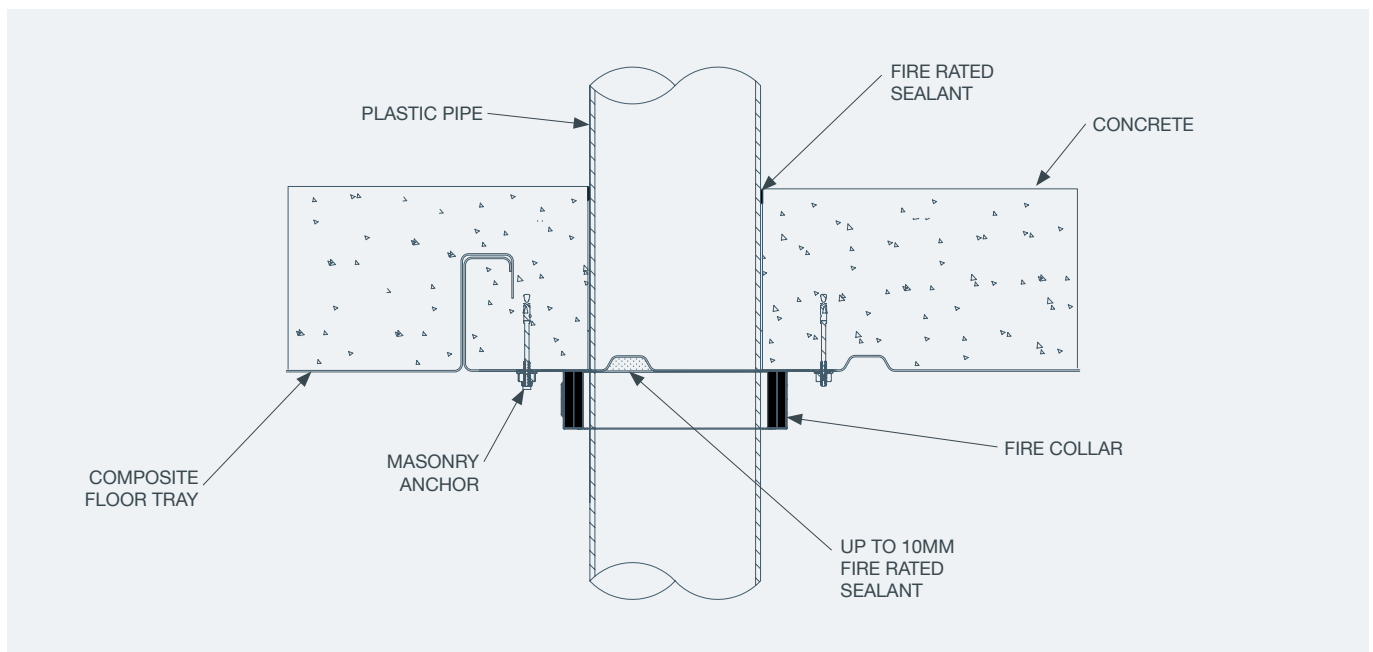
Scale: **NTS**
 Drawn by: **G.P**

COMPOSITE FLOOR TEST RESULTS:

NOMINAL PIPE SIZE (MM)	SLAB DEPTH (MM)	NOMINAL PIPE WALL THICKNESS (MM)	PRODUCT CODE	PENETRATION HOLE SIZE (MM)	FLOOR FRL	REPORT NUMBER
PVC PLASTIC PIPE						
40	70	2.5	ALLFC40	52	-/60/60	13920-01
50	70	2.2	ALLFC50	57	-/60/60	13920-01
65	70	2.7	ALLFC65	72	-/60/60	13920-01
80	70	2.9	ALLFC80	87	-/60/60	13920-01
100	70	3.2	ALLFC100	118	-/60/60	13920-01
40	100	2.0	ALLFC40	47	-/120/120	13920-01
50	100	2.2	ALLFC50	57	-/120/120	13920-01
65	100	2.7	ALLFC65	72	-/120/120	13920-01
80	100	2.9	ALLFC80	87	-/120/120	13920-01
100	100	3.2	ALLFC100	112	-/120/120	13920-01
PP-R PLASTIC PIPE (SDR 11)						
32	70	3.5	ALLFC40	37	-/60/60	13920-01
32	100	3.5	ALLFC40	37	-/120/120	13920-01
PEX PIPE						
16	70	2.7	ALLFC25	28	-/60/60	11267

Fixing: Collars tested using M6x26 masonry anchors.

COMPOSITE FLOOR INSTALLATION DETAILS:



Note: Collars can be installed on flat surfaces between the trough profiles in composite floors. Additionally intumescent sealant can be installed between tray and collar where profile changes up to 10mm. For any profile change greater than 10mm please refer to DIFC product selections.